

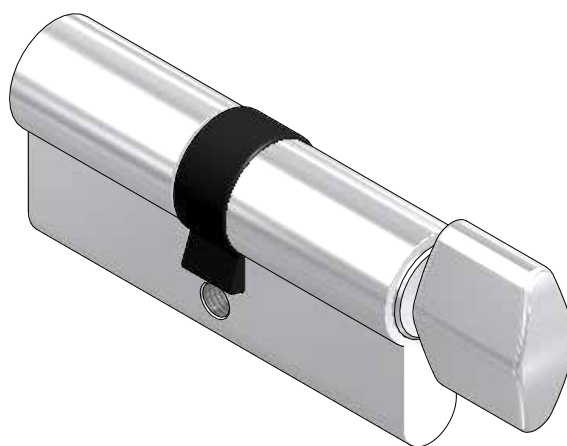
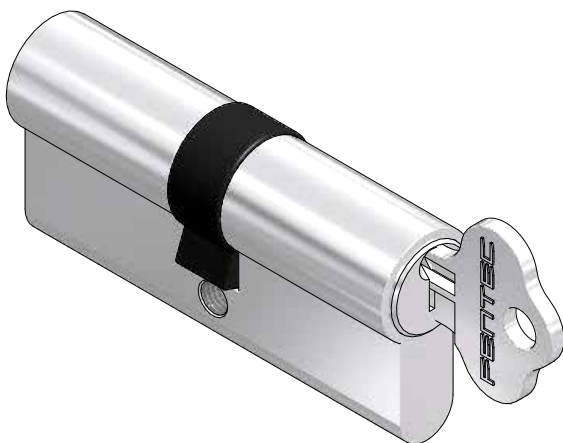
Fenestration Solutions Australia are excited to introduce a range of customised European cylinders for the Australian market.

The FENTEC™ Euro Cylinder range has been developed to suit the unique needs of the Australian market. It has a large offer of sizes and offset cams, providing flexibility across all thicknesses of doors.

It is available Keyed Alike across the entire range, allowing the ability to offer a complete Keyed Alike solution to the end user. Also, because FENTEC™ uses the C4 keyway, the most common in Australia, it is as simple as visiting the nearest Locksmith to have additional keys cut or even the cylinders completely re-keyed.

KEY FEATURES

- Uses the C4 Keyway
- Available keyed alike across all sizes
- A range of lengths available including offset cams
- Supplied with two keys and 50mm Cylinder screw
- Half cylinders available on request. Please contact your FSA representative.



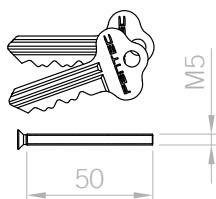
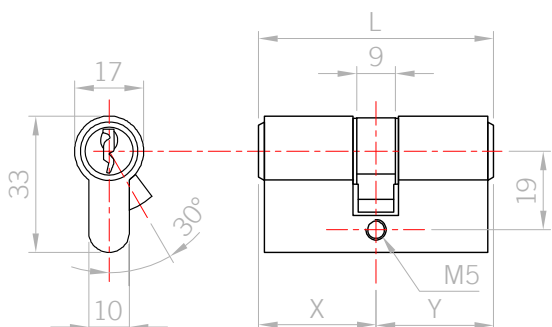
KEY/KEY CYLINDER

ITEM CODE	EXTENDED DESCRIPTION	L	X	Y
F-DC3030	60mm Euro Profile 5 PIN SC	60	30	30
F-DC3535	70mm Euro Profile 5 PIN SC	70	35	35
F-DC4040	80mm Euro Profile 5 PIN SC	80	40	40
F-DC4050	90mm Euro Profile 5 PIN SC	90	40	50
F-DC4545	90mm Euro Profile 5 PIN SC	90	45	45
F-DC5050	100mm Euro Profile 5 PIN SC	100	50	50

KEY/TURN CYLINDER

ITEM CODE	EXTENDED DESCRIPTION	L	X	Y
F-CT3030	60mm Euro Profile Turn 5 PIN SC	60	30	30
F-CT3535	70mm Euro Profile Turn 5 PIN SC	70	35	35
F-CT4040	80mm Euro Profile Turn 5 PIN SC	80	40	40
F-CT4545	90mm Euro Profile Turn 5 PIN SC	90	45	45
F-CT5050	100mm Euro Profile Turn 5 PIN SC	100	50	50

5-Pin C4 Double Cylinder



5-Pin C4 Turn Cylinder

