



**FSA**<sup>®</sup>

FENESTRATION  
SOLUTIONS  
AUSTRALIA

CATALOGUE  
EURO HANDLE SERIES  
FOR WINDOWS AND DOORS

**HOPPE**<sup>®</sup>





MAKING  
LIFE  
BETTER

## WHAT WE STAND FOR

Everyday we live our overarching purpose; to make life better for our team, our customers and to drive our industry forward. To be better than yesterday and committed to a better tomorrow through everything we do.

Ultimately, we inspire architectural innovation and improve homes to create enjoyable and efficient lifestyles. We search the world over to source the most desirable, innovative and superior products available for the Australasian market. Combining stunning aesthetic design, state-of-the-art features, and first-class thermal efficiency, FSA introduces incredibly smart solutions for Australian window & door manufacturers and their customers.

Our experience and research reflects a detailed understanding of local and international markets, technical expertise and a dedication to exceptional customer service and streamlined support. This is exemplified in our extensive portfolio demonstrating our commitment to making life better.



[www.fsa-us.com.au](http://www.fsa-us.com.au)

4 TOULON SERIES

**Tilt & Turn Handles**

**Flat Window Handle**

**Tilt & Slide**

**Balcony Door**

**Door Handles**

**Lift & Slide**

**Fixing Kits**

13 GLOSSARY

14 COLOUR CHART

**TILT & TURN**

**Tilt & Turn Window Handle**

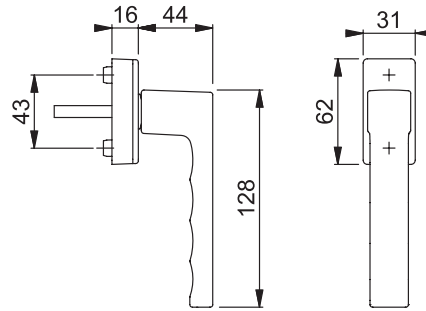


- Solid 7mm spindle with 10mm Adjustment – VarioFit®
- Concealed Fixing M5 thread screws

Material		Spindle Length	Side	UOM	Colour	Item Code
Aluminium	7mm	32-42mm	Internal	Each	Matt Black	TOU-TT MBK
				Each	Steel	TOU-TT STL
				Each	Traffic White	TOU-TT WHT

(other colours available upon request – MOQ's and lead times apply)

duraplus®



Secustik®  
VarioFit®

**TILT & TURN  
LOCKING**

**Tilt & Turn Window Handle KEY LOCKING**

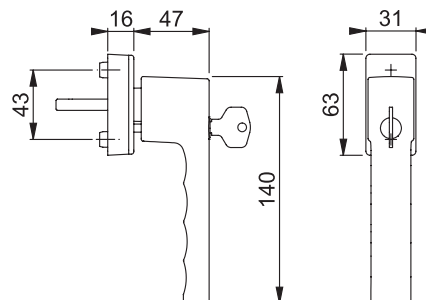


- 100Nm Security Resistance
- Solid 7mm spindle with 10mm Adjustment – VarioFit®
- Concealed Fixing M5 thread screws

Material		Spindle Length	Length	UOM	Colour	Item Code
Aluminium	7mm	32-42mm	Internal	Each	Matt Black	TOU-TTL MBK
				Each	Steel	TOU-TTL STL
				Each	Traffic White	TOU-TTL WHT

(other colours available upon request – MOQ's and lead times apply)

duraplus®



Secu100®  
Secustik®  
VarioFit®

**TILT BEFORE TURN (TBT)**

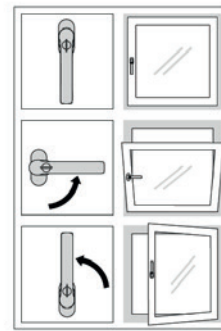
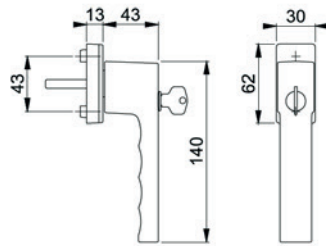


**Tilt & Turn Window Handle TILT BEFORE TURN**

- Solid 7mm spindle.
- Concealed Fixing M5 thread screws.
- TBT functionality via key

Material		Spindle Length	Side	UOM	Colour	Item Code
Aluminium	7mm	40mm	Internal	Each	Matt Black	TOU-TBT MBK
				Each	Steel	TOU-TBT STL
				Each	Traffic White	TOU-TBT WHT

(other colours available upon request – MOQ's and lead times apply)



**TBT operation**

duraplus®

SecuTBT®  
VarioFit®

**TILT & TURN KOMPAKT**

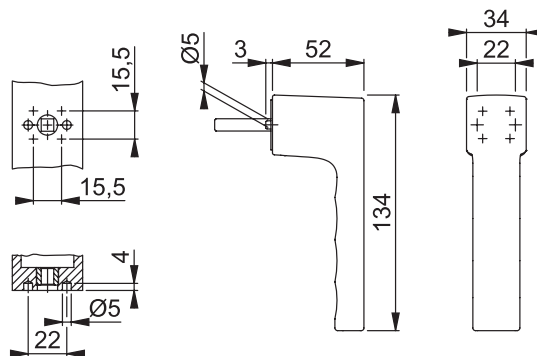


**Tilt and Turn Window Handle KOMPAKT**

- Solid 7mm spindle
- Concealed Rosette for minimalist aesthetic
- Hoppe QuickFit® handle connection
- Concealed Fixing with multipurpose screws

Material		Spindle Length	Side	UOM	Colour	Item Code
Aluminium	7mm	37mm	Internal	Each	Matt Black	TOU-KTT MBK
				Each	Steel	TOU-KTT STL
				Each	Traffic White	TOU-KTT WHT

(other colours available upon request – MOQ's and lead times apply)



duraplus®

Secustik®  
Quick-Fit®

**FLAT WINDOW HANDLE**

**Flat Window Handle**

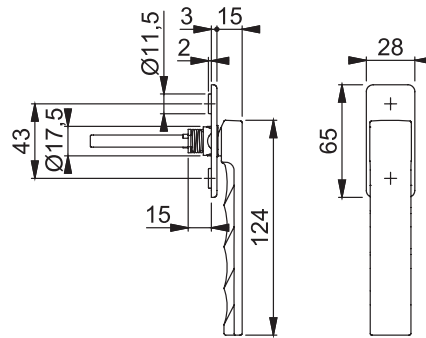


- Solid spindle 7mm
- Concealed Fixing M5 thread screws.

Material		Spindle Length	Side	UOM	Colour	Item Code
Aluminium	7mm	37mm	Internal	Each	Matt Black	TOU-FW MBK
				Each	Steel	TOU-FW STL
				Each	Traffic White	TOU-FW WHT

(other colours available upon request – MOQ's and lead times apply)

duraplus®



**TILT & SLIDE**

**Tilt and Slide PSK Patio Handle**

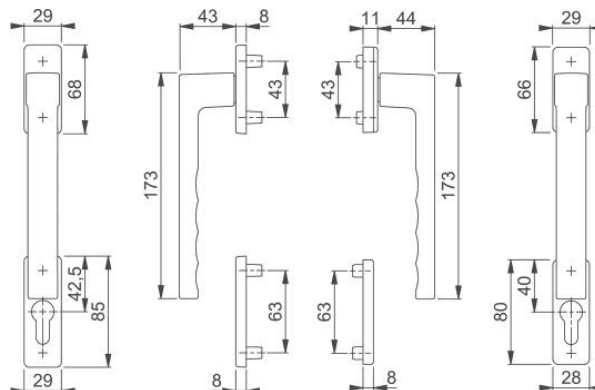


- Solid 7mm spindle
- Concealed Fixing M5 thread screws
- Rectangular Euro Cyl Escutcheon

Material			Side	UOM	Colour	Code
Aluminium	7mm	Refer Fixing Kits	Internal	Each	Matt Black	TOU-TS1 MBK
				Each	Steel	TOU-TS1 STL
				Each	Traffic White	TOU-TS1 WHT
			External	Each	Matt Black	TOU-TS2 MBK
				Each	Steel	TOU-TS2 STL
				Each	Traffic White	TOU-TS2 WHT

(other colours available upon request – MOQ's and lead times apply)

duraplus®



**TILT & TURN**  
BALCONY INTERNAL



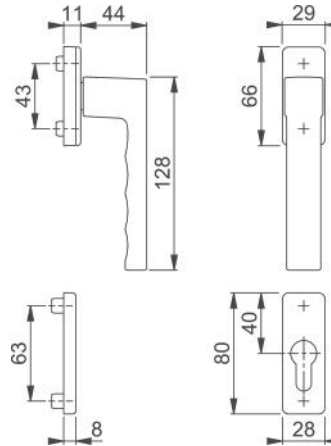
duraplus®

**Tilt & Turn Window Handle Balcony Set Internal**

- Solid spindle 7mm
- Concealed through Fixing M5 thread screws
- Standard Inner Handle
- Includes cylinder escutcheon

Material			Side	UOM	Colour	Item Code
Aluminium	7mm	Refer Fixing Kits	Internal	Each	Matt Black	TOU-BCY1 MBK
				Each	Steel	TOU-BCY1 STL
				Each	Traffic White	TOU-BCY1 WHT

(other colours available upon request – MOQ's and lead times apply)



**TILT & TURN**  
BALCONY EXTERNAL



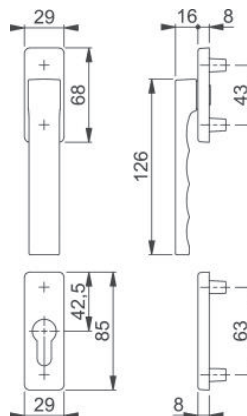
duraplus®

**Tilt & Turn Window Handle Balcony Set External**

- Solid spindle 7mm
- Concealed through Fixing M5 thread screws
- Flat Outer Handle
- Includes cylinder escutcheon

Material			Colour	UOM	Item Code
Aluminium	7mm	Refer Fixing Kits	Matt Black	Each	TOU-BCY3 MBK
			Steel	Each	TOU-BCY3 STL
			Traffic White	Each	TOU-BCY3 WHT

(other colours available upon request – MOQ's and lead times apply)



**ENTRY DOOR  
ON PLATE**



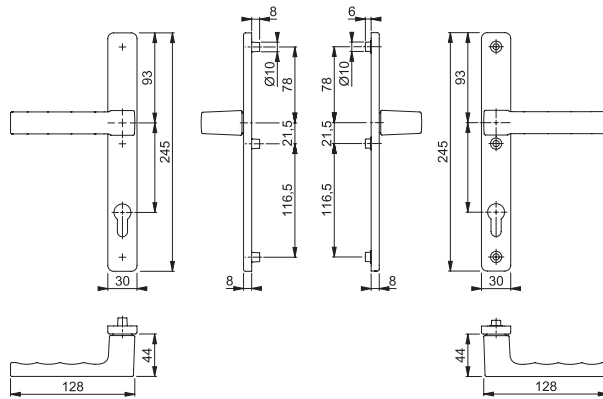
**Door Handle on Narrow Backplate**

- Spring assisted Lever operation
- Solid spindle 8mm
- Through Fixing M6 thread screws
- Screw cover caps
- Euro Profile – 92mm Centre

Material			Side	UOM	Colour	Code
Aluminium	8mm	Refer Fixing Kits	Internal	Each	Matt Black	TOU-PT1 MBK
				Each	Steel	TOU-PT1 STL
				Each	Traffic White	TOU-PT1 WHT
			External	Each	Matt Black	TOU-PT2 MBK
				Each	Steel	TOU-PT2 STL
				Each	Traffic White	TOU-PT2 WHT

(other colours available upon request – MOQ's and lead times apply)

duraplus®



**ENTRY DOOR  
ON ROSE**



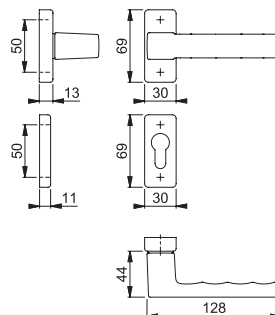
**Door Handle on Rectangular Rose**

- Spring assisted Lever operation.
- Solid spindle 8mm – QuickFit®
- Concealed through Fixing M6 thread screws.
- Rectangular Narrow Rose & Cyl Escutcheon
- Euro Profile

Material			Side	UOM	Colour	Code
Aluminium	8mm	Refer Fixing Kits	Internal	Each	Matt Black	TOU-R01 MBK
				Each	Steel	TOU-R01 STL
				Each	Traffic White	TOU-R01 WHT
			External	Each	Matt Black	TOU-R01 MBK
				Each	Steel	TOU-R01 STL
				Each	Traffic White	TOU-R01 WHT

(other colours available upon request – MOQ's and lead times apply)

duraplus®



Quick-Fit



**HINGED DOOR  
ON MINI ROSE**

**Door Handle on Mini Rose**

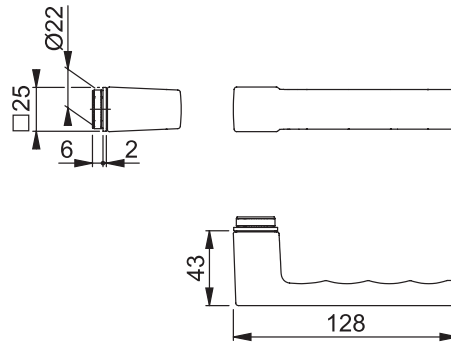
- Loose Handles with maintenance free slide bearing
- Solid spindle 8mm – QuickFit®
- Plug-in Mini Rose Rose
- Non-Screw Fixing



Material			Side	UOM	Colour	Code
Aluminium	8mm	Refer Fixing Kits	Internal	Each	Matt Black	TOU-MR1 MBK
				Each	Steel	TOU-MR1 STL
				Each	Traffic White	TOU-MR1 WHT
			External	Each	Matt Black	TOU-MR1 MBK
				Each	Steel	TOU-MR1 STL
				Each	Traffic White	TOU-MR1 WHT

(other colours available upon request – MOQ's and lead times apply)

duraplus®



Quick-Fit

**MINI ESCUTCHEONS**

**Mini Escutcheon for Euro Cylinders**

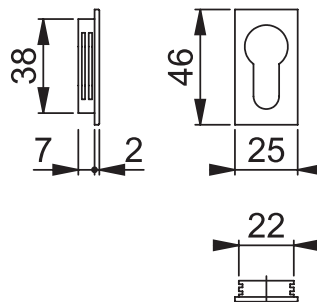
- Plug in Fixing with adhesive or silicone
- Non screw fixing



Material	Cylinder		Side	UOM	Colour	Item Code
Aluminium	Euro	N/A	Internal / External	Set	Matt Black	646-ME MBK
				Set	Steel	646-ME STL
				Set	Traffic White	646-ME WHT

(other colours available upon request – MOQ's and lead times apply)

duraplus®



**LIFT & SLIDE**

**Lift & Slide Patio Door Handle**

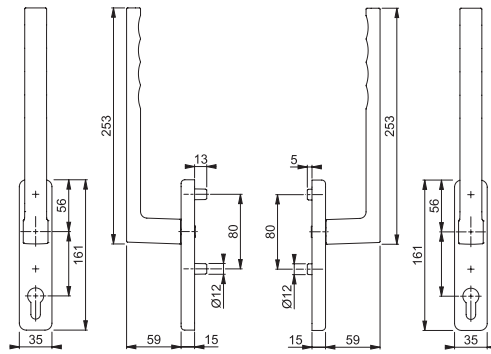
- Zamak Base with Bearing
- Concealed through Fixing M6 thread screws
- Solid spindle radiused edges - 10mm



Material			Side	UOM	Colour	Code
Aluminium	10mm	Refer Fixing Kits	Internal	Each	Matt Black	TOU-LS1 MBK
				Each	Steel	TOU-LS1 STL
				Each	Traffic White	TOU-LS1 WHT
			External	Each	Matt Black	TOU-LS2 MBK
				Each	Steel	TOU-LS2 STL
				Each	Traffic White	TOU-LS2 WHT

(other colours available upon request – MOQ's and lead times apply)

**duraplus®**



**LIFT & SLIDE  
OUTERPULL**

**Lift & Slide Patio Door Outerpull**

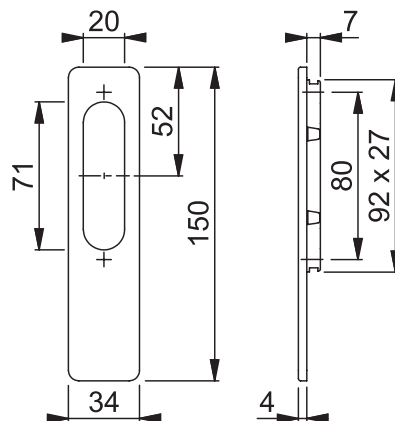
- Concealed through Fixing M6 thread screws



Material			Side	UOM	Colour	Code
Aluminium	8mm	Refer Fixing Kits	External	Each	Matt Black	TOU-LS3 MBK
				Each	Steel	TOU-LS3 STL
				Each	Traffic White	TOU-LS3 WHT

(other colours available upon request – MOQ's and lead times apply)

**duraplus®**



**LIFT & SLIDE  
FLUSH HANDLE**

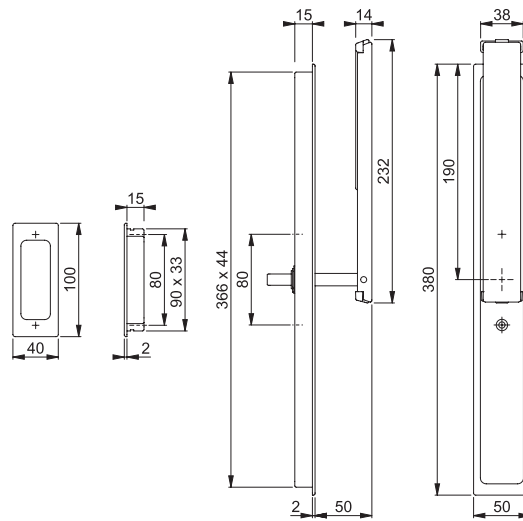
**Lift & Slide Patio Flush Handle**

- Zamak Base with Bearing
- Concealed through Fixing M6 thread screws
- Solid spindle radiused edges - 10mm
- Special feature: the set must be recessed into the profile



Material			Side	UOM	Colour	Code
Aluminium	10mm	57mm	Internal / External	Each	Matt Black	AUS-LS13 MBK
				Each	Steel	AUS-LS13 STL

(other colours available upon request – MOQ's and lead times apply)



**LIFT & SLIDE  
FIXING**

**Lift & Slide Fixing**


- Fixing Kits M6 for Lift & Slide door sets




Description	Spindle Length		UOM	Colour	Code
Fixing Kits for Lift & Slide DBL Handle inc: 1 x 10mm Spindle   2 x M6 Screws	118mm	65-70mm	Set	N/A	LSFIX-6570
	123mm	70-75mm	Set		LSFIX-7075
	128mm	75-80mm	Set		LSFIX-7580
	133mm	80-85mm	Set		LSFIX-8085
	138mm	85-90mm	Set		LSFIX-8590

Description	Spindle Length		UOM	Colour	Code
Spindle for Lift & Slide 1 x 10mm Spindle	73mm	75-80mm	Each	N/A	LSSPDL-7580
	83mm	85-90mm	Each		LSSPDL-8085
Screw Set for Lift & Slide 2 x M6 Screws	85-90mm	65-70mm	Set		LSSCRW-7580
	90-95mm	70-75mm	Set		LSSCRW-8085


**TILT & SLIDE  
&  
TILT & TURN  
BALCONY**


Description	Spindle Length		UOM	Colour	Code
Fixing Kits for Balcony Door Handles inc: 1 x 7mm Spindle   4 x M5 Screws	110mm	63-73mm	Each	N/A	BCYFIX-6373
	120mm	73-83mm	Each	N/A	BCYFIX-7383


**ENTRY DOOR  
ON PLATE**


Description	Spindle Length		UOM	Colour	Code
Fixing Kits for Lever on Plate Door Handles inc: 1 x 8mm Spindle   3 x M6 Screws and Screw Cover Caps	135mm	67-72mm	Set	N/A	FIX-8/67-72

**ENTRY DOOR  
ON ROSE**


Description	Spindle Length		UOM	Colour	Code
Fixing Kits for Lever on STD & Mini Rose Door Handles inc: 1 x 8mm Spindle	155mm	67-72mm	Each	N/A	SPL-8/155

**LIFT & SLIDE  
FIXING**


Material	Length		UOM	Colour	Code
Spindle for Lift & Slide 1 x 10mm Spindle	73mm	75-80mm	Each	N/A	LSSPDL-7580
	83mm	85-90mm	Each		LSSPDL-8085
Screw Set for Lift & Slide 2 x M6 Screws	85-90mm	65-70mm	Each		LSSCRW-7580
	90-95mm	70-75mm	Each		LSSCRW-8085

**duraplus®**

HOPPE divides its product range into three lines based on the customers' different requirements in price and perception of value – duravert®, duraplus® and duranorm®. **duraplus® stands for better product line.**

**Secustik®**

• **Secustik® technology**

Window handles with Secustik® technology hinder unauthorised tampering with the window fitting from outside by an integrated jamming mechanism. The precision clicking of the blocking mechanism when engaging itself is the audible sign of more security for your windows.

**Secu100®**

• **Secu100® technology**

The Secu100® technology prevents the turning and pulling off of the window handle up to a torque of 100 Nm\*.

\* 1 Nm (Newton metre) is equal to the torque resulting from a force of one Newton applied perpendicularly to a lever arm which is 1 metre long.

**Secu100®**

**Secustik®**

• **Secu100® + Secustik® technology**

The Secu100® + Secustik® combines the Secu100® with Secustik® technology. With this, not only is there a high degree of safety when locked, but also an in-built permanent, basic security even when unlocked.

**SecuTBT®**

• **SecuTBT operation**

SecuTBT window handles are suitable for TBT(Tilt Before Turn) window hardware only, TBT meaning the sequence of opening and closing the window: closed - tilted - turned open.

**Resista®**

• **Resista®**

For hardware with Resista® HOPPE offers a 10-year surface guarantee (see also "Guarantee"). Resista® hardware is ideal for coastal areas and highly frequented areas such as public buildings, shops and hotels.

**VarioFit®**

• **VarioFit®**

Instead of many variants with different spindle lengths: With VarioFit®, the solid spindle of the window handle flexibly adapts to the depth of the window profile and thus the position of the gear.

**BRAND ATTRIBUTES**

	Distinguish all HOPPE products
	<p><b>Convey the brand promise</b></p> <ul style="list-style-type: none"> <li>• 10-year guarantee on the mechanical operation</li> <li>• Made in Europe</li> <li>• DIN EN ISO 14001</li> </ul>
	Environmentally considerate manufacturing

**EXPLANATION OF SYMBOLS**

	Profile cylinder
	Door thickness (in mm)
	Spindle size (in mm)

**ALUMINIUM - STOCKED FINISHES**



**F9**  
Steel Effect



**F9016**  
Traffic White



**F9714M**  
Satin Black

**ALUMINIUM - FINISHES AVAILABLE FOR ORDER**



**F1**  
Silver Effect



**F3**  
Gold Effect



**F4**  
Bronze Effect



**F31-1**  
Matt Stainless Steel Effect



**F94-1**  
Matt Chrome Effect



**F9016M**  
Matt Traffic White

**BRASS - STOCKED FINISHES**



**F78-1-R**  
Satin



**F84-1-R**  
Copper Coloured Satin



**F96-1-R**  
Satin Black



**F42-1-R**  
Satin Nickel

**BRASS - FINISHES AVAILABLE FOR ORDER**



**F41-R**  
Brushed Chrome



**F49-R**  
Polished Chrome



**F77-R**  
Brass Coloured Polished



**F78-R**  
Light polished brass effect



**F84-R**  
Copper Coloured Polished



**F96-R**  
Polished Black



**F97-R**  
Polished Anthracite



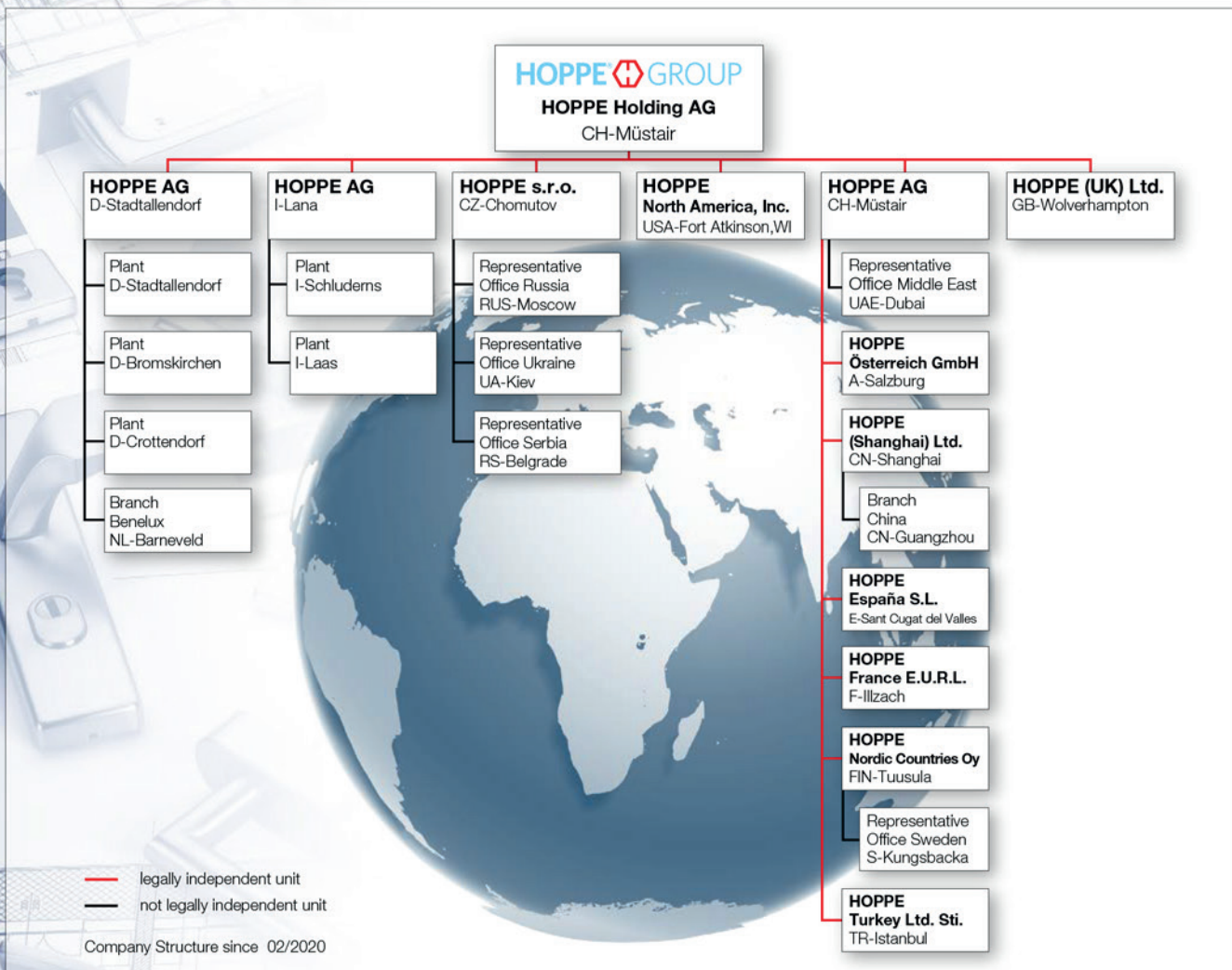
**F97-1-R**  
Satin Anthracite

# About the HOPPE Group

## The HOPPE Group

In 1952, Friedrich Hoppe founded a company for the manufacture of door hardware in Heiligenhaus near Düsseldorf, the former heartland of Germany's lock and hardware industry. In 1954 he moved the business to Stadtallendorf (north of Frankfurt) and in so doing laid the foundation for continual growth.

Today, the HOPPE Group, an internationally active company with its headquarters in Switzerland, is led by Wolf Hoppe and Christoph Hoppe in its second generation.



With around 2,800 people it employs in seven plants in Europe and the USA as well as its international marketing, the owner-run HOPPE family business is the European leader in the development, manufacture and marketing of hardware systems for doors and windows.

In fairness to employees, customers, suppliers and the regions in which HOPPE is located, the company pursues the principle of profitability before turnover. The following beliefs make the HOPPE Group what it is today:

*“Creativity is intelligent thinking against the norm”,  
the result being:  
“Different from and better than others”*



[www.fsa-aus.com.au](http://www.fsa-aus.com.au)